

# DORRANCE

## Wall-Mounted Lavatory Faucet **3-2981**

### Features

- Solid brass construction
- ADA compliant contemporary cross handles
- 7-1/8" (18.1 cm) spout reach (wall-to-center)
- 1/2" NPT spout inlet fitting
- Intended for use with Newport Brass rough valve as specified (Required Accessory)
- Rough valve incorporates a brass valve body assembly
- Rough valve incorporates quarter-turn washerless ceramic disc valve cartridges
- 1.2 gallons (4.5 liters) per minute maximum flow rate

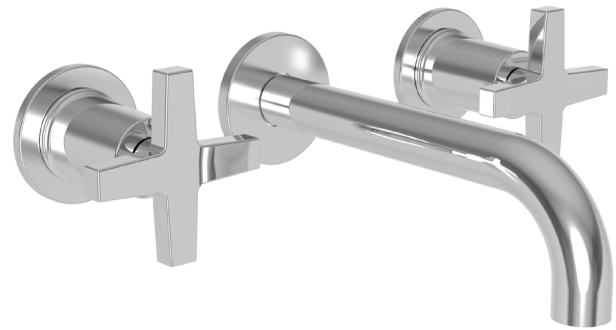
### Codes / Standards Compliance

Meets or exceeds the following at date of manufacture:

- ASME A112.18.1/CSA B125.1
- IAPMO/cUPC
- NSF 61
- NSF 372
- IPC
- ADA (Handle Only)
- ICC/ANSI A117.1
- Energy Policy Act of 1992
- EPA Watersense
- California Energy Commission (CEC)
- All applicable US Federal and State material regulations

### Colors / Finishes

- 10B: Oil Rubbed Bronze
- 15: Polished Nickel
- 15S: Satin Nickel - PVD
- 26: Polished Chrome
- Other: Refer to the Newport Brass catalog for additional color/finish options.



### Specified Model

Model	Description	Colors   Finishes
3-2981	Wall-Mounted Lavatory Faucet	<input type="checkbox"/> 10B <input type="checkbox"/> 15 <input type="checkbox"/> 15S <input type="checkbox"/> 26 <input type="checkbox"/> Other

### Required Accessory: Trim, above, and Rough Valve Kit, below, must both be specified

Application	Wall Lavatory Valve
Description	2-Cartridge Assembly
Inlet/Outlet	1/2"
Part Number	1-532
Image	

### Product Specification: Add "Color / Finish" suffix to Model number, below.

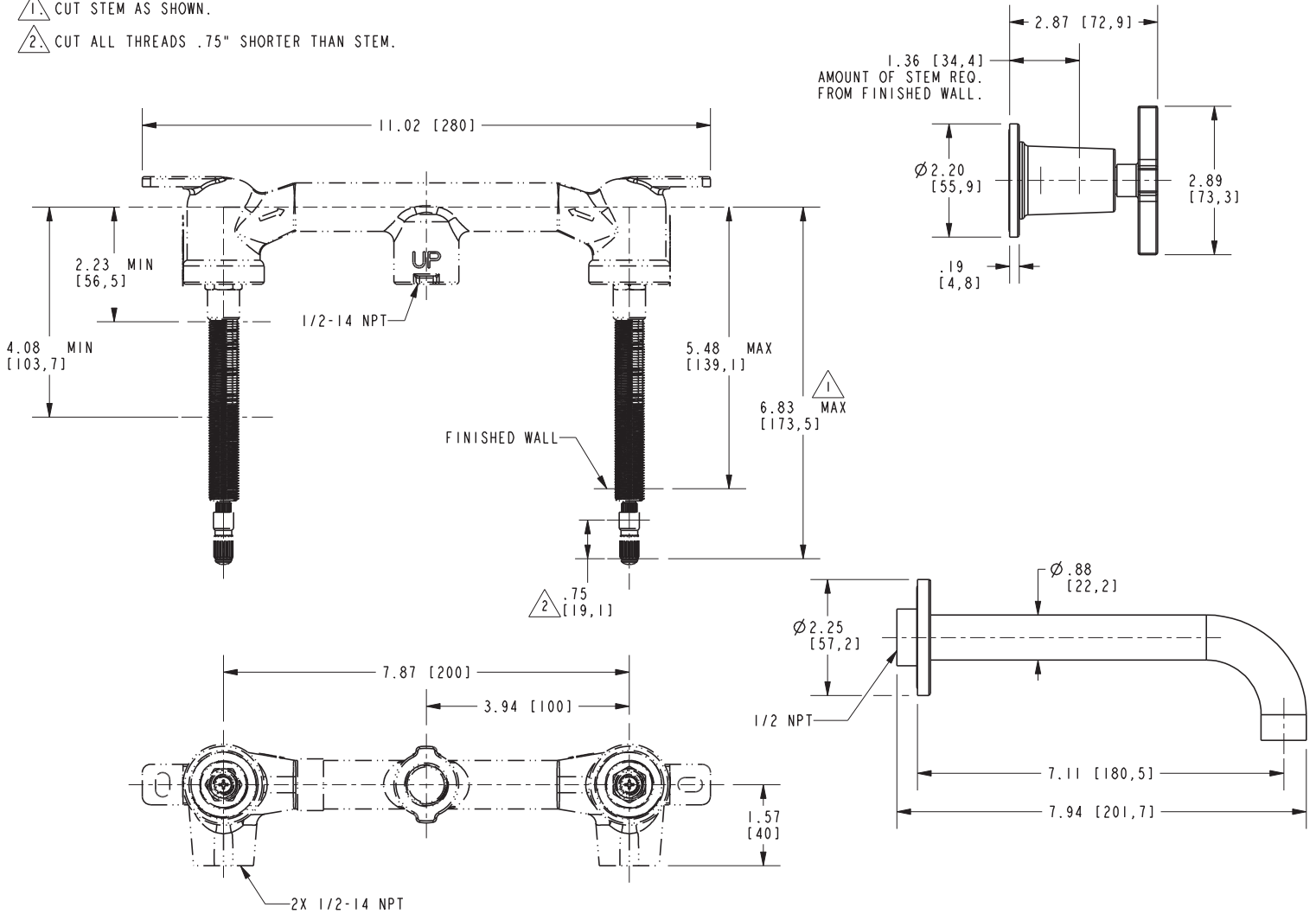
The Wall-Mounted Lavatory Faucet shall be made of solid brass construction. Wall-Mounted Lavatory Faucet shall incorporate ADA compliant cross handles and a 7-1/8" (18.1 cm) spout (wall-to-center) that incorporates a 1/2" NPT inlet fitting. Rough valve shall incorporate a brass valve body assembly and quarter-turn washerless ceramic disc valve cartridges. Wall-Mounted Lavatory Faucet shall be Newport Brass Model 3-2981/\_\_\_\_ and Newport Brass rough valve shall be 1-532.

# 3-2981

## PRODUCT DIMENSIONS *(Units are in inches)*

NOTES:

- 1. CUT STEM AS SHOWN.
- 2. CUT ALL THREADS .75" SHORTER THAN STEM.



**Dorrance Wall-Mount Lavatory Faucet**  
**3-2981**

**NEWPORT BRASS**  
 Flawless Beauty. From Faucet to Finish.™